

## 29585 AREL LED DO 10W-WW

Downlight fitting

5905339295859

IP  
65/20

ultra  
SLIM  
panel

HIGH  
quality



Kanlux AREL LED is a new family of downlights which do not have frame. High tightness class IP65/20 and exceptional, simple, and at the same time surprising design make Kanlux AREL LED fit into each interior. Thanks to the unique structure, the panel is only 9 mm thick - it is the thinnest panel available on the market.

### GENERAL DATA:

**Colour:** white

**Place of assembly:** Recessed mount in the ceiling

**Place of application:** Indoors

**Minimum distance from the illuminated object:** 0,5m

**Compatible with a dimmer:** no

**The product is not suitable to be covered with a heat-insulating material:** yes

**Height [mm]:** 23

**Diameter [mm]:** 126

**Assembly hole [mm]:** Ø110

**Integrated LED light source:** yes

### TECHNICAL DATA:

**Rated voltage [V]:** 220-240 AC

**Rated frequency [Hz]:** 50

**Maximum power [W]:** 10

**Class of protection against electric shock:** II

**Lampshade material:** PMMA

**Diode type:** LED SMD

**Luminous flux [lm]:** 890

**Useful luminous flux of the light source  $\Phi_{use}$  [lm]:** 1200

**Useful luminous flux of the light source  $\Phi_{use}$  [lm]:** in sphere (360°)

**Colour temperature:** Warm white

**Correlated colour temperature [K]:** 3000

**Colour consistency in McAdam ellipses:**  $\leq 6$

**Colour rendering index:** 80

**Service life [h]:** 15000

**Number of on/off cycles:**  $\geq 30000$

**Lighting angle [°]:** 120

**Luminous efficiency of the lamp [lm/W]:** 89

**Ambient temperature range to which the product can be exposed:** 5÷25

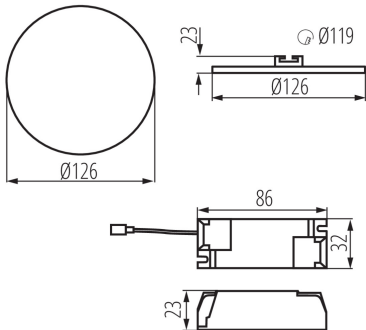
**Enclosure material:** aluminum alloy

**Connection type:** Terminal block

**Range of sections of wires used [mm<sup>2</sup>]:** 0,75-1,5

**Lamp-heating time [s]:**  $\leq 1$

### Downlight fitting



Lamp-ignition time [s]:  $\leq 0,5$

IP class: 65/20

#### LOGISTIC DATA:

Packaging method: 100

Number of units in the secondary packaging: 1

Number of units in the packaging: 100

Net unit weight [g]: 154

Grammage [g]: 208.9

Length of a unit pack [cm]: 15.5

Width of a unit pack [cm]: 3

Height of a unit pack [cm]: 16

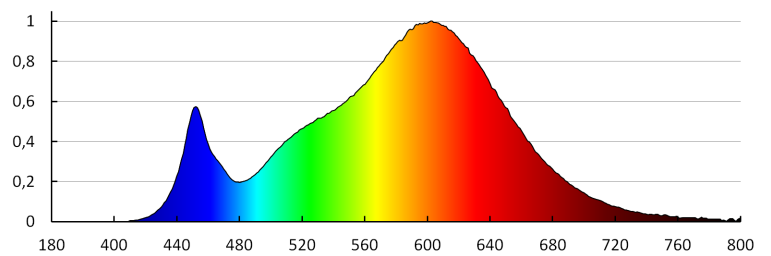
Weight of a cardboard box [kg]: 20.89

Width of a cardboard box [cm]: 33

Height of a cardboard box [cm]: 34

Length of a cardboard box [cm]: 78

Volume of a cardboard box [m<sup>3</sup>]: 0.087516



KANLUX S.A. (kat 29585) AREL LED DO 10W-WW / LDC (Polar)

Luminaire: KANLUX S.A. (kat 29585) AREL LED DO 10W-WW  
Lamps: 1 x AREL LED DO 10W-WW

